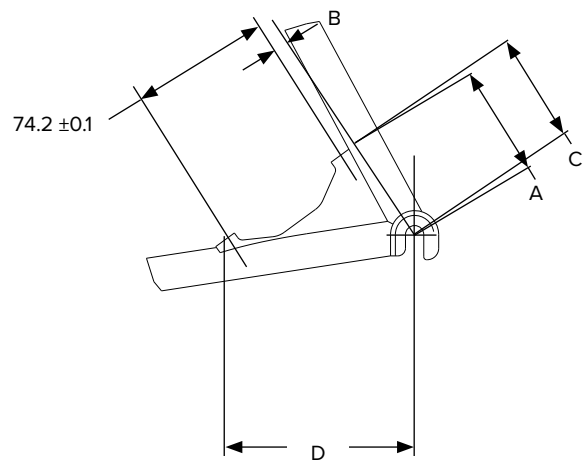


Post Mount Frame/Fork Specification

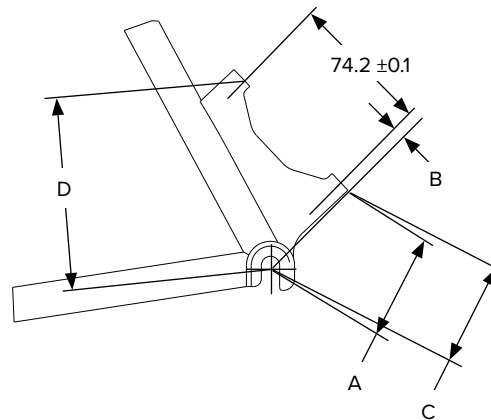
Chainstay Mount/Seatstay Mount/Fork Mount

Direct mount rotor size	A (mm)	B(mm)	C (mm)	D (mm)
140 mm	47.2	2.2	47.2	89.8
160 mm	56.0	6.8	56.4	98.5
180 mm				
200 mm				

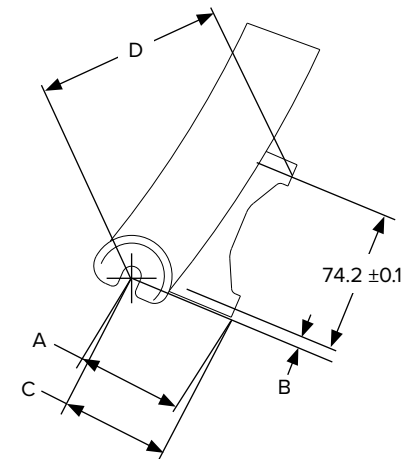
Chainstay Mount



Seatstay Mount



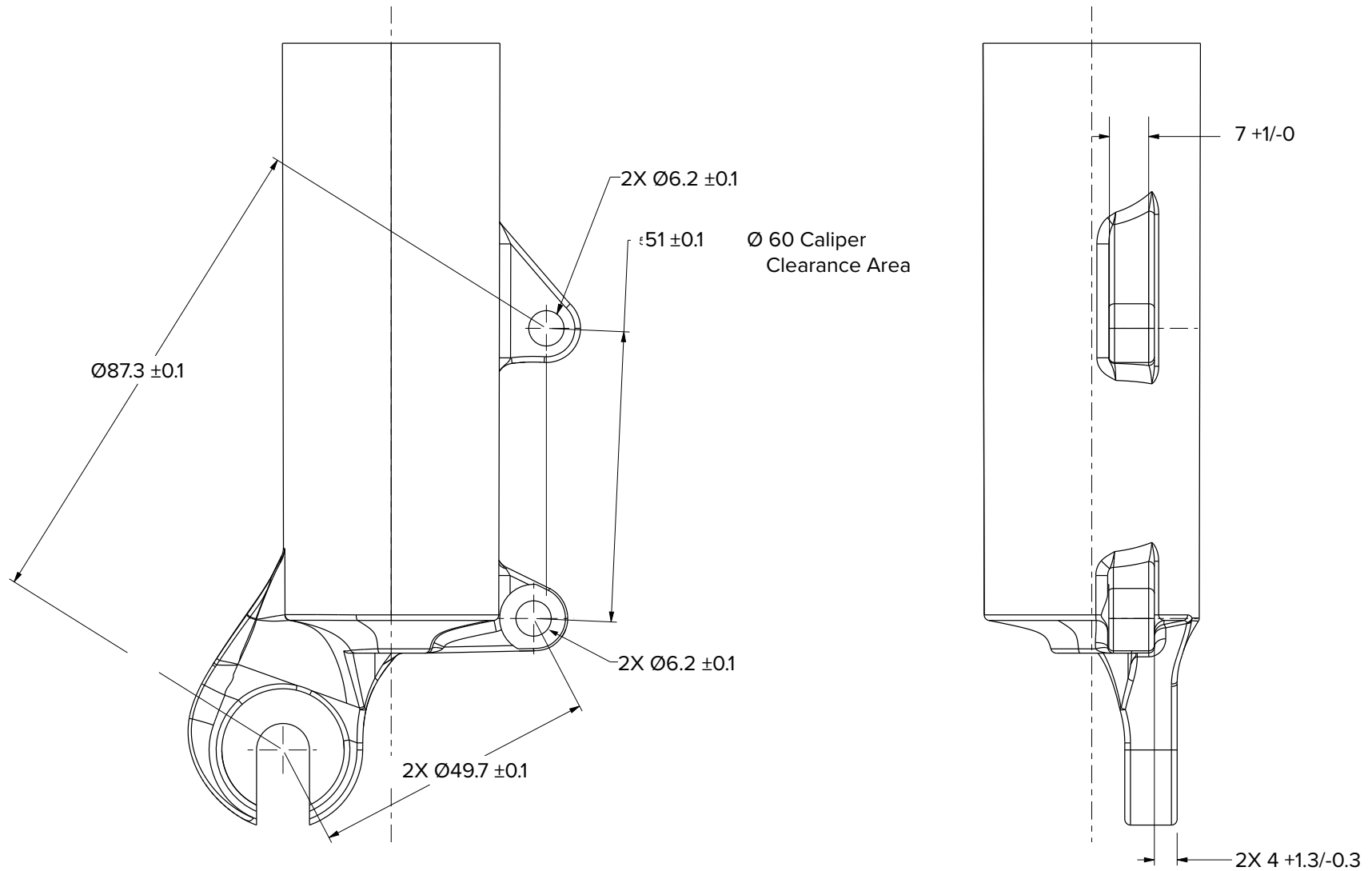
Fork Mount



Post Mount Frame/Fork Specification

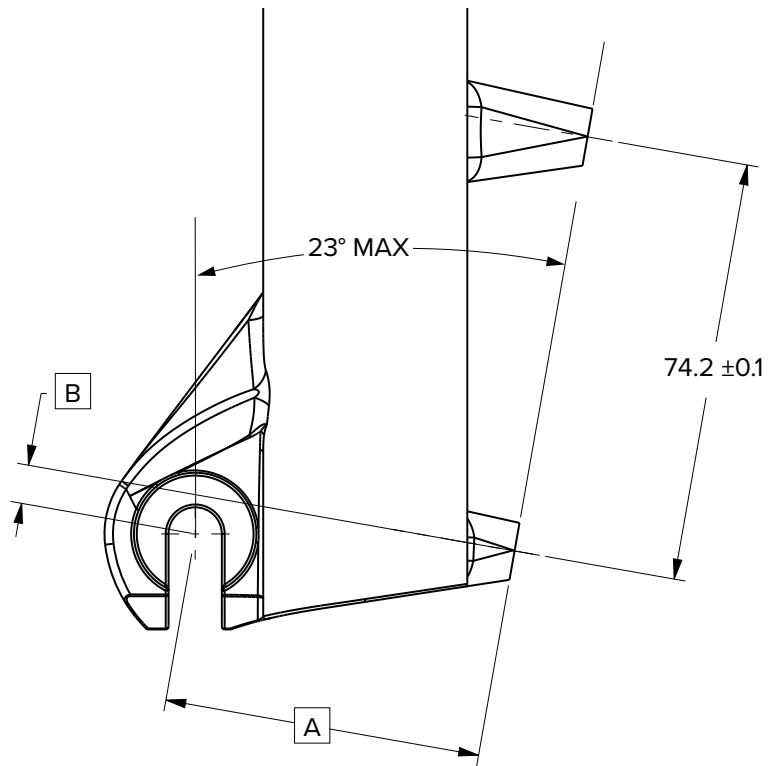
International Standard Fork Mount

International Standard Fork Mount



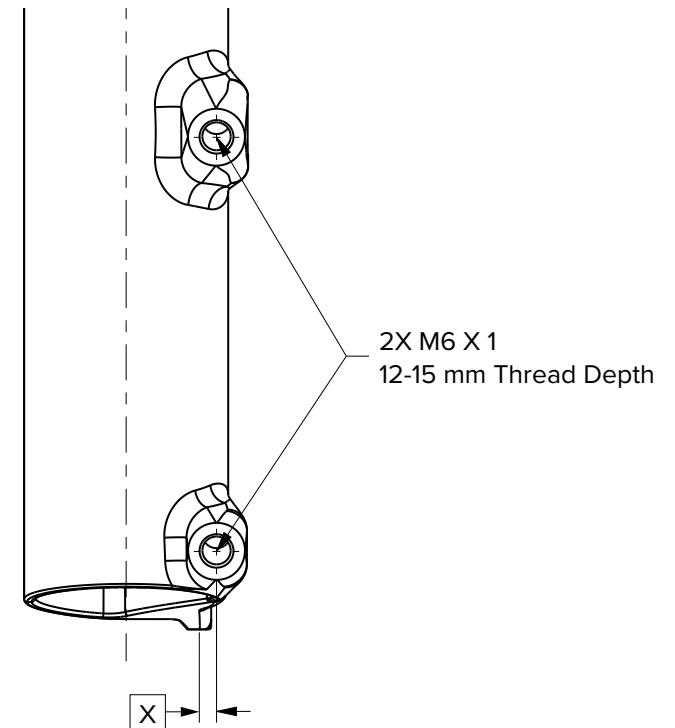
Post Mount Frame/Fork Specification

Fork Post Mount



Name References: Post Mount

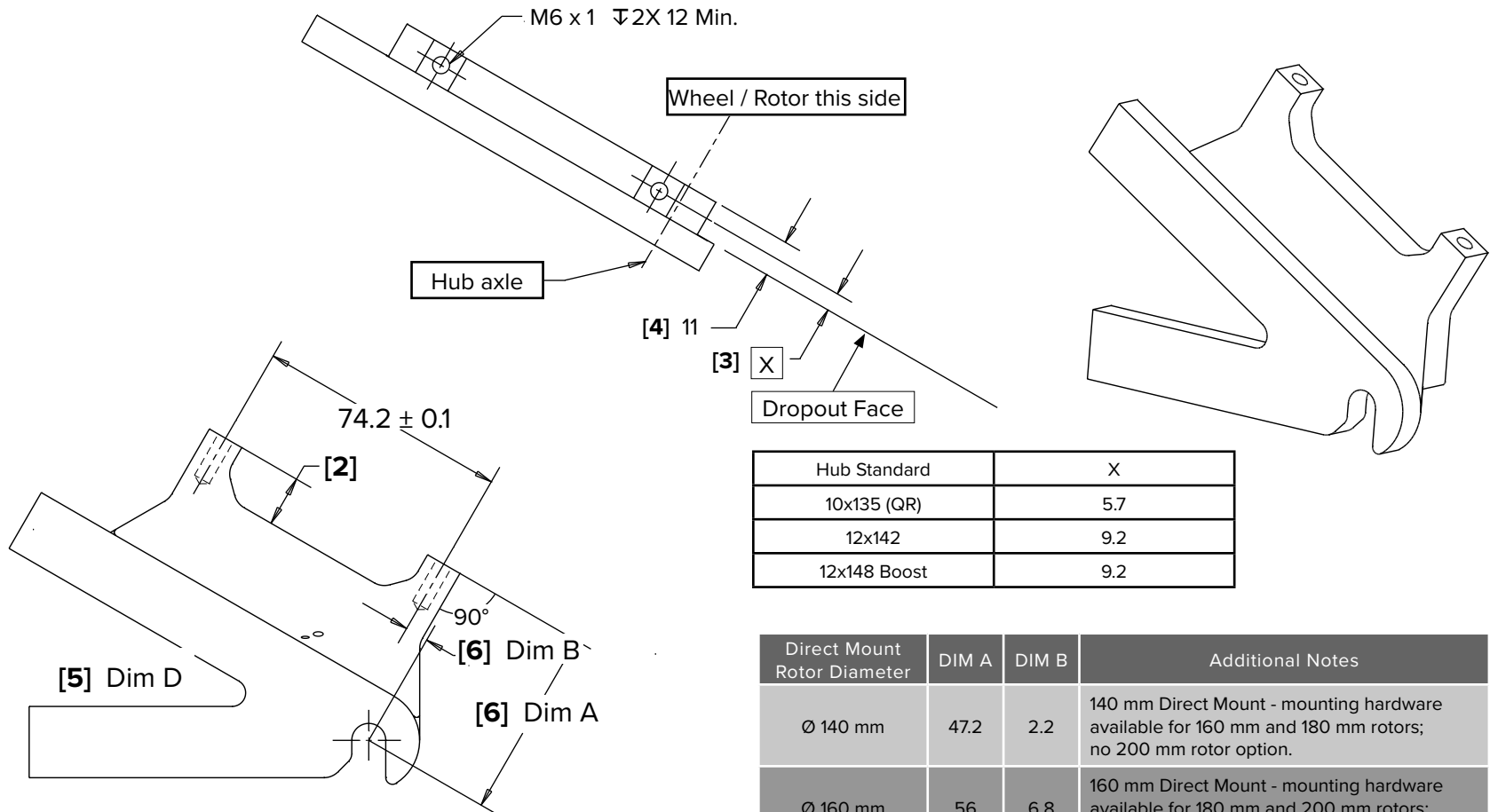
Rotor Diameter	A	B
140 mm	47.2	2.2
160 mm	56.0	6.8
170 mm	60.3	9.9
180 mm	64.7	11.8
200 mm	73.3	16.8



Hub Standard	X
9x100 (QR)	0.94
15x100	0.94
15x110 Boost	0.94
20x110 Boost	0.94
Legacy 20x110	5.94

Post Mount Frame/Fork Specification

Direct Mount for SRAM Rotors MY2012 Forward



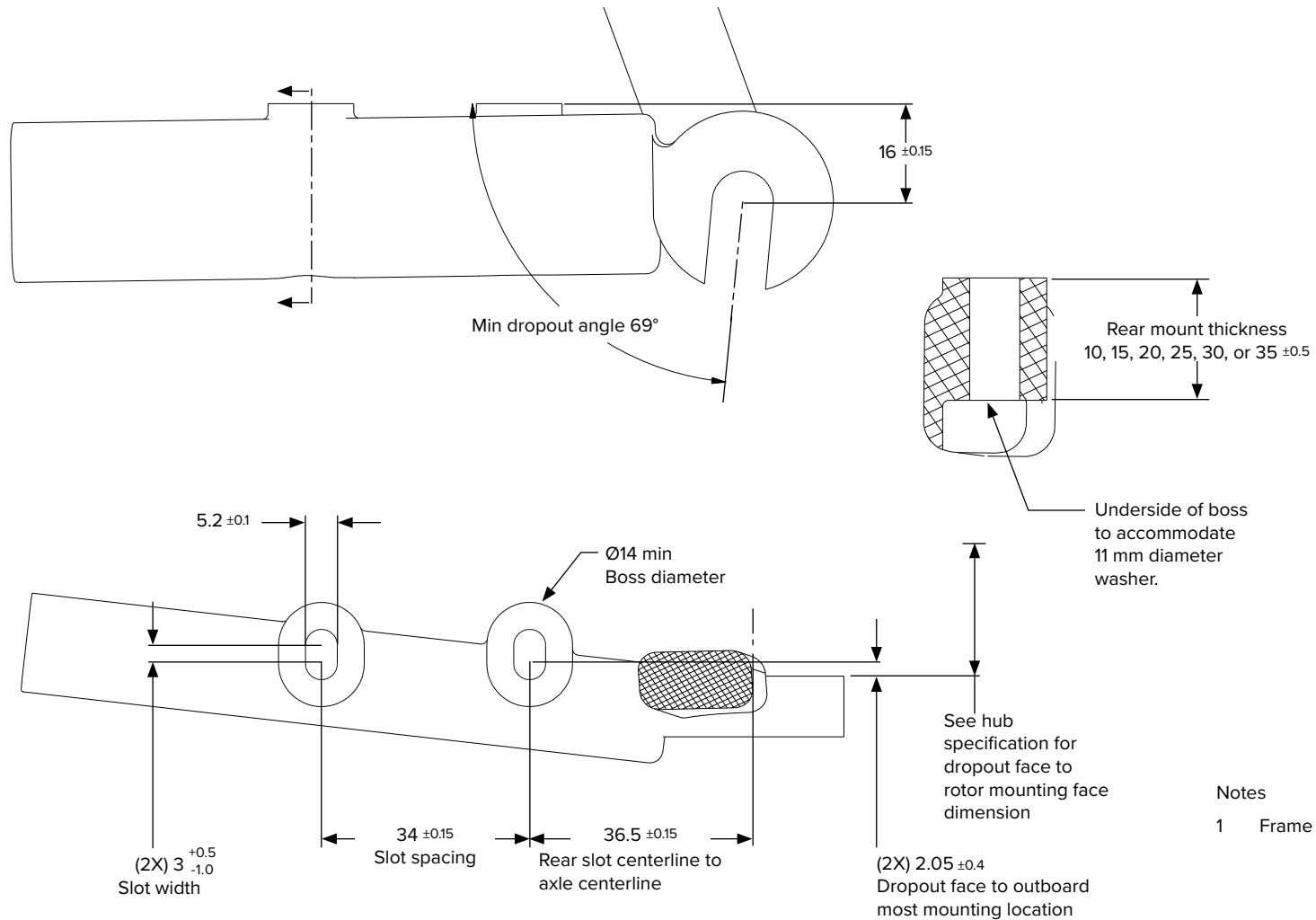
Hub Standard	X
10x135 (QR)	5.7
12x142	9.2
12x148 Boost	9.2

Direct Mount Rotor Diameter	DIM A	DIM B	Additional Notes
Ø 140 mm	47.2	2.2	140 mm Direct Mount - mounting hardware available for 160 mm and 180 mm rotors; no 200 mm rotor option.
Ø 160 mm	56	6.8	160 mm Direct Mount - mounting hardware available for 180 mm and 200 mm rotors; no 140 mm rotor option.
Ø 170 mm	60.3	9.9	170 mm Direct Mount - mounting hardware available for 170 mm rotors.
Ø 180 mm	64.7	11.8	180 mm Direct Mount - mounting hardware available for 200 mm rotors.
Ø 200 mm	73.3	16.8	200 mm Direct Mount only.

Notes

- 1 Check fit with SRAM caliper and rotor.
- [2] 15 mm **minimum** clearance for caliper.
- [3] Measured from inside dropout face.
- [4] Recommended **maximum** thickness.
- [5] Perpendicular to thread axis and mounting surface.

Flat Mount Caliper Frame Specification



Notes

- 1 Frame and caliper interface may reach 120°C.