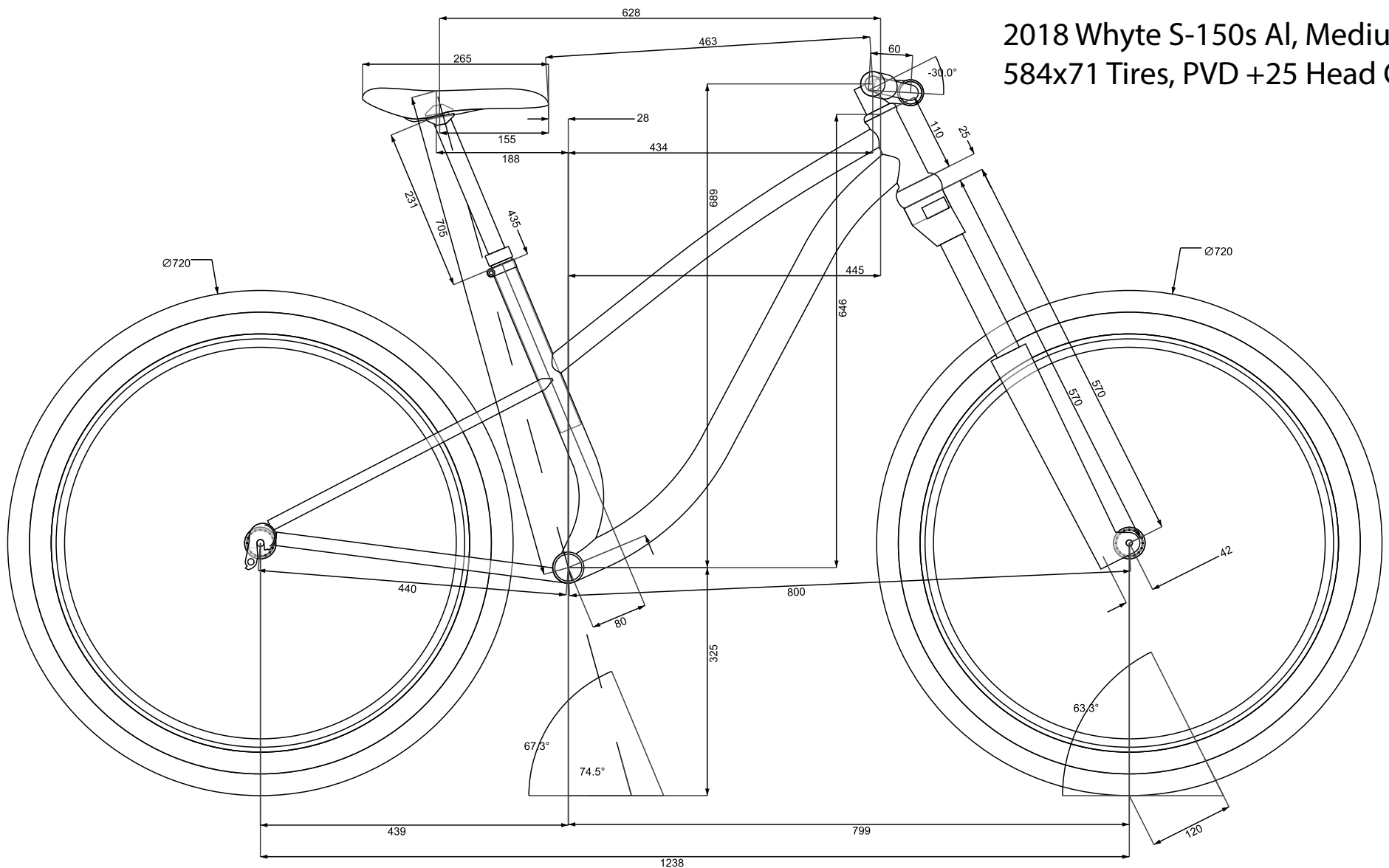


2018 Whyte S-150s AI, Medium
584x71 Tires, PVD +25 Head Cup



MATERIAL:	UNLESS OTHERWISE SPECIFIED: IF DIMENSIONS ARE IN INCHES TOLERANCES: FRACTIONAL ±1/32 ANGULAR: MACH ±.5 BEND ±1 TWO PLACE DECIMAL ±.010 THREE PLACE DECIMAL ±.005	TITLE: Whyte S-150s MOD
FINISH:	INTERPRET GEOMETRIC TOLERANCING PER: ASME Y14.5M	Peter Verdone Designs Fairfax, CA 94930 (415) 686-0257 peterverdone@gmail.com www.peterverdone.com
COMMENTS: Ride fast. Take chances PROPRIETARY AND CONFIDENTIAL	Some parts may include a model-based definition to be interpreted per ASME Y14.41-2012 THE INFORMATION CONTAINED IN THIS DRAWING IS THE SOLE PROPERTY OF PETER VERDONE DESIGNS. ANY REPRODUCTION IN PART OR AS A WHOLE WITHOUT THE WRITTEN PERMISSION OF PETER VERDONE DESIGNS IS PROHIBITED.	SCALE: 1:10 3/28/2018 REV